

HALLMAN

**INSTALLATION, OPERATING AND MAINTENANCE
INSTRUCTIONS FOR COOKER HOODS MODEL:**

CANOPY ISLAND



120V - 60HZ



Intertek
5014576

**UL 507
CAN/CSA- C22.2 No. 113**

Cod. 395568

HALLMAN

ENGLISH

INSTALLATION, OPERATING AND MAINTENANCE INSTRUCTIONS FOR COOKER HOODS: MOD. CANOPY ISLAND 120V – 60HZ

READ AND SAVE THESE INSTRUCTIONS

WARNINGS

CAUTION: Automatically Operated Device – To Reduce The Risk Of Injury Disconnect From Power Supply Before Servicing.

WARNING: To Reduce The Risk Of Fire Or Electric Shock, Do Not Use This Fan With Any Solid-State Speed Control Device.

PAY ATTENTION TO:

- A) THE NEED FOR FREQUENT CLEANING OF ALL GREASE FROM THE FAN AND FROM ALL OTHER GREASE-LADEN SURFACES;
- B) THE NEED FOR FREQUENT REMOVAL AND CLEANING OF ANY FILTER UNIT PROVIDED; AND
- C) THE NEED TO EXERCISE CARE WHEN USING CLEANING AGENTS OR DETERGENTS

WARNING: To provide protection against electric shock, connect to properly grounded outlets only.

For Residential Use Only

WARNING: GROUNDING INSTRUCTIONS

This appliance must be grounded. In the event of an electrical short circuit, grounding reduces the risk of electric shock by providing an escape wire for the electric current. This appliance is equipped with a cord having a grounding wire with a grounding plug. The plug must be plugged into an outlet that is properly installed and grounded.

WARNING – Improper grounding can result in a risk of electric shock.

Consult a qualified electrician if the grounding instructions are not completely understood, or if doubt exists as to whether the appliance is properly grounded. Do not use an extension cord. If the power supply cord is too short, have a qualified electrician install an outlet near the appliance.

WARNING – TO REDUCE THE RISK OF FIRE, USE ONLY METAL DUCTWORK.

WARNING – TO REDUCE THE RISK OF A RANGE TOP GREASE FIRE:

- a) Never leave surface units unattended at high settings. Boilovers cause smoking and greasy spillovers that may ignite. Heat oils slowly on low or medium settings.
- b) Always turn hood ON when cooking at high heat or when flambeing food (i.e. Crepes Suzette, Cherries Jubilee, Peppercorn Beef Flambe’).
- c) Clean ventilating fans frequently. Grease should not be allowed to accumulate on fan or filter.
- d) Use proper pan size. Always use cookware appropriate for the size of the surface element.

WARNING – TO REDUCE THE RISK OF INJURY TO PERSONS IN THE EVENT OF A RANGE TOP GREASE FIRE, OBSERVE THE FOLLOWING:

- a) **SMOTHER FLAMES** with a close-fitting lid, cookie sheet, or metal tray, then turn off the burner. **BE CAREFUL TO PREVENT BURNS.** If the flames do not go out immediately, **EVACUATE AND CALL THE FIRE DEPARTMENT.**
- b) **NEVER PICK UP A FLAMING PAN – You may be burned.**
- c) **DO NOT USE WATER,** including wet dishcloths or towels – a violent steam explosion will result.
- d) Use an extinguisher **ONLY** if:
 - 1) You know you have a Class ABC extinguisher, and you already know how to operate it.
 - 2) The fire is small and contained in the area where it started.
 - 3) The fire department is being called.
 - 4) You can fight the fire with your back to an exit.

**SUITABLE FOR USE IN A HOUSEHOLD COOKING AREA
CONVIENT À L'EMPLOI DANS UNE ZONE DE CUISSON MÉNAGÈRE**

THE MINIMUM DISTANCE BETWEEN THE SUPPORTING SURFACE OF THE COOKING HOB AND THE LOWEST PART OF THE RANGE HOOD MUST BE NOT LESS THAN 26IN (65 CM) WITH A GAS HOB.

WARNING: TO PROVIDE PROTECTION AGAINST ELECTRIC SHOCK, CONNECT TO PROPERLY GROUNDED OUTLETS ONLY

AVERTISSEMENT: POUR ASSURER LA PROTECTION CONTRE LES CHOCS ÉLECTRIQUES, BRANCHER SUR UNE PRISE CORRECTEMENT MISE À LA TERRE

WARNING: GROUNDING INSTRUCTIONS

This appliance must be grounded. In the event of an electrical short-circuit, grounding reduces the risk of electric shock by providing an escape wire for the electric current. This appliance is equipped with a cord having a grounding wire with a grounding plug. The plug must be plugged into an outlet that is properly installed and grounded.

WARNING - Improper grounding can result in a risk of electric shock.

Consult a qualified electrician if the grounding instructions are not completely understood, or if doubt exists as to whether the appliance is properly grounded. Do not use an extension cord. If the power supply cord is too short, have a qualified electrician install an outlet near the appliance.

AVERTISSEMENT: CONSIGNES DE MISE À LA TERRE

Cet appareil doit être mis à la terre. En cas de court-circuit, le fil de mise à la terre limite le risque de choc électrique parce qu'il assure le retour du courant à la terre. L'appareil est livré avec un cordon muni d'un fil de terre et d'une fiche de mise à la terre, qui doit être branchée sur une prise mise à la terre correctement installée.

AVERTISSEMENT - Une mise à la terre incorrecte peut entraîner des risques de choc électrique.

Consulter un électricien compétent en cas de doute sur ces consignes de mise à la terre ou en cas d'incertitude concernant la mise à la terre correcte du circuit sur lequel l'appareil est branché. Ne pas utiliser de cordon de rallonge. Si le cordon d'alimentation est trop court, faire installer une prise par un électricien compétent à proximité de l'appareil.

HALLMAN

The present instruction manual is an integral part of the appliance itself, therefore it must be carefully kept and ALWAYS accompany it, even in case of its assignment to another owner or user or in case the cooker hood is moved to another installation plant.

Make sure that the voltage (V) and frequency (Hz) indicated on the data plate inside the unit match those available at the installation site. Any eventual adjustment to the electrical system, which may be necessary to install the cooker hood, must be carried out only by competent people.

Any repair carried out by no competent people may cause damages.

For any repair or needed technical action make reference to a Technical Assistance Centre, which is authorized to carry out the replacement of the spare parts. Always make sure that all the electrical parts (lights, exhaust unit) are disconnected when the appliance is not in use. By storms take off the main switch of the house electrical system or if the device is equipped with a plug, simply unplug it from the mains socket.

The using of the cooker hood must not be other than the use of exhausting units for cooking damp on domestic kitchens.

The manufacturer does not accept any liability for damages caused by people, animals or things, by installation and maintenance mistakes or by any illegitimate use.

We remind that the use of products functioning with electrical energy implies the observance of some essential security rules, as follows:

- This equipment is not intended for people (children included) with reduced mental or motor capacities, with lack of experience or knowledge, unless they are supervised or unless a person responsible for their security, gives them instructions regarding the use of the equipment. Children must be supervised in order to be sure that they do not play with the equipment.
- Any cleaning action is forbidden if the appliance hasn't been disconnected from the main power supply and if the main switch of the house electrical system is not off or if the device is equipped with a plug, simply unplug it from the mains socket. If cleaning is not carried out according to these instructions, a fire may break out.
- Do not pull, take off or twist the cable coming out from the appliance, even though this has been disconnected from the main power supply.
- Do not sprinkle or throw any water directly on the appliance.
- Do not stick any sharp tool inside the exhausting holes and into the air discharge.
- Do not take out the filters in order to reach the internal sides of the appliance in case the main switch of the house electrical system is not off.
- Do not singe or flambé directly underneath the cooker hood. Take particular care when frying to ensure that the oil does not catch fire.
- CAUTION: Accessible parts may become hot when used with cooking appliances.
- It is forbidden to use the hood as a support surface unless it is expressly indicated.
- Only use the fixing screws supplied with the product for installation.

USE

This cooker hood can be employed as **exhausting** or **filtering**.

Exhausting (external evacuation – Fig. 1A). Remove any activated carbon filters if present. Kitchen smokes are driven outside through a flue (not provided with the hood) joined to the exhaust pipe flue connector. This pipe must not under any circumstances be connected to cooker, boiler or burner exhaust pipes, etc.

The use of pipes and holes on the wall with a smaller diameter than the output of the motor will cause a decrease in suction performance and an increase of the noise level.

Use as short as possible tubes and with few curves. Use pipes with smooth internal surfaces.

Filtering (inside recycling – Fig. 1F). The fumes pass through activated carbon filters (available as an accessory) to be purified and recycled into the kitchen.

INSTALLATION

Read the instruction manual before installing and/or using the hood. The minimum distance between the supporting surface of the cooking hob and the lowest part of the range hood must be not less than 26in (65cm) with a gas hob (Fig. 4). If the mounting instructions of the gas hob indicate a wider distance, respect it.

It must not be superimposed on stoves with an upper radiating plate.

Respect all the air discharge regulations.

The air must not be discharged in a pipe used to discharge exhaust fumes produced by **gas-fed equipment** or **fuel-fed equipment** (this does not apply to filtering hoods). The room must be adequately ventilated when the hoods is used together with other gas or fuel equipment.

The hood placed above an induction hob can cause condensation, this is a normal phenomenon and not due to malfunctioning of the product.

For an easy access, it is advisable to move possible furniture under the installation area.

The hood is equipped with all the necessary fastenings for its installation, which are suitable for most surfaces. Verify that the installation surface is strong.

Installation must be carried out by qualified installers according to present regulations.

Before proceeding with the installation, turn the main switch of the system to "off".

Follow the hood assembly instructions indicated below:

MOD. CANOPY ISLAND

The hood can be installed on ceilings between 93in (235cm) and 108in (275cm) in height.

The equipment consists of the following elements:

- Mounting bracket
- Internal telescopic structure complete with motor
- Lower and upper chimney
- Hood module

Perform the following steps in order (see reference figures below):

SEQ1. Trace and drill the ceiling according to the indicated measurements, insert the expansion plugs (X) and lock the fixing bracket to the ceiling.

SEQ2. Assemble the internal telescopic structure that contains the motor box. The height of the structure is regulated by locking the two elements B1 and B2 together.

SEQ3. Fix the structure (B) to the bracket (A) by means of the screws (Y) and hook it to the bracket already fixed to the ceiling. Electrically connect the hood and the air discharge pipe.

SEQ4. Insert the upper chimney over the structure and lock it with the screws (Z). Now insert the lower chimney and temporarily lock it to the upper one with the screws (Z) so as to facilitate the installation of the hood below.

SEQ5. Remove the metal filters, fix the hood to the structure using the screws (Y) both from the inside and from the outside of it. Remove the provisional screws of the lower chimney and let it go down leaning against the hood. Reinstall the metal filters.

ELECTRICAL CONNECTION

This equipment must be connected to a grounding plant.

Two types of electrical connection can be used:

1. Using a standard plug to be connected to the power cable and inserted in a mains socket which must be accessible (so that the plug can be disconnected when servicing is carried out). Make sure that the plug is accessible also after the complete installation of the equipment.
2. By means of a fixed mains connection, fitting a bipolar switch, which ensures the disconnection, with an opening distance of the contacts allowing a complete disconnection on the conditions of the overvoltage III category, according to installation regulations. The ground connection (yellow-green wire) must not be interrupted.

Refer to the plate inside the hood for the mains voltage and frequency ratings. If the power cable is damaged, it must be replaced by the manufacturer or by its service agent or a qualified person in order to avoid any risk.

OPERATION

The hood is supplied with a multispeed motor. The hood should be run at low speed under normal conditions and at higher speeds only when there is a heavy build-up of fumes or odours.

Ideally, the hood should be switched on as soon as cooking is started and then kept on until all odours have been eliminated.

Hood controls operation (Fig. 3):

- TL button: illumination on and off.
- T1 button: switching on the hood, selecting the first speed, switching off the aspirator.
- T2-T3-T4 button: selection of the second, third and fourth speed of the aspirator.

The LED of the key in operation remains lit steadily.

To turn the aspirator off when you are not at the first speed, press T1 twice.

Adjustable and delayed self-switching off

With the hood in operation select the desired speed, then keep the TL button pressed for a few seconds until all the LEDs start to flash (T1, T2, T3, T4). By pressing one of the buttons (T1, T2, T3, T4) you can program the delayed auto-off time, as follows: T1 corresponds to 5 minutes; T2 corresponds to 10 minutes; T3 corresponds to 15 minutes; T4 corresponds to 20 minutes. During the auto-off operation, the set speed can be changed. If the selection of the switch-off time corresponds to the speed set, the speed LED flashes; if the choice is different, the speed LED remains fixed. During the auto-off operation, it is possible to deactivate the delayed switch-off by keeping the hood operating, by keeping the button corresponding to the selected delayed time pressed. During the auto power off function, it is still possible to turn off the hood by pressing T1 twice.

Maintenance warning for grease filters

Every 30 hours of operation of the hood, when the hood is turned off, all the LEDs of the hood speed buttons light up for 30 seconds to alert the necessary cleaning of the metal grease filter. To reset the timer simply press and hold the T4 button with the fan off. If the timer is not reset, all the LEDs will light up again each time the hood is switched off again.

Charcoal filters maintenance alert (for hoods in the filtering version)

Every 120 hours of operation of the hood, when it is switched off, the hood LED speed buttons will flash for 30 seconds to remind the cleaning of the metal grease filters and, if the hood is in the filtering version, it is necessary to replace the carbon filters. To reset the timer, simply press the T4 button with the fan off, otherwise the LEDs will flash again after each time the hood is switched off.

MAINTENANCE

Always disconnect the hood from the mains before carrying out any maintenance or cleaning operation.

Particular attention should be paid to the metallic anti-grease filters, that are designed to trap particles of fat contained in the fumes, and to the grease collection tray underneath the metal filters, which has the function of collecting grease. The metallic anti-grease filters must be washed at least once a month or, when indicated by the electronic notice, with detergent in hot water (or in the dish-washer). The filters may discolour after a few washes. This is normal and does not mean they have to be replaced. To remove the metal grease filters, use the handle (Fig. 2). The grease collection tray must be washed at the same time or, in accordance with the use of the hood, even more frequently than metal filters in hot water and detergent (even in the dishwasher). To remove the grease collector tray, simply remove it from its seat after removing the metal filters (Fig. 5). It is recommended to refit the grease collection tray and the metal grease filters only if they are perfectly dry.

ATTENTION: the grease retained by the metal filters and collected in the grease collection tray is easily inflammable. It is therefore necessary to regularly clean the filters and the grease collection tray on a regular basis as per instructions.

The activated charcoal filters, if present, are designed to collect unpleasant odours in the cooking fumes. The air is then released purified in the environment. The charcoal filters must not be washed, but replaced 2 or 3 times a year, depending on how much the hood is used. New filters are to be requested directly to the manufacturer.

To replace the activated carbon filters, first remove the metal anti grease filters (Fig. 2). At this point the activated carbon filters can be removed by rotating them about 90° from their position to release them from the interlocking tabs, then accompanying the filter downwards, without the use of tools.

To reinstall the new activated carbon filters, reverse operations.

The hood features a LED light that, in addition to offering a good lighting and a significant energy savings, are guaranteed to last on average 10 times more than traditional lights. For replacement, contact the Assistance Service.

In order to remove the remaining glue or any impurity, the cooker hood must be cleaned immediately after installation and after having removed the protective film.

The cooker hood must be cleaned frequently both internally and externally (at least once a month).

Do not let dirt gather on the inner and outer surfaces of the hood.

To clean the exterior of the hood do not use either acid or basic products, or abrasive sponges.

Clean the hood with a sponge dampen in warm water and a little quantity of neutral detergent (for example dishwasher detergent), in order to remove possible particles of grease.

Rinse with a damp cloth, removing all the detergent carefully, following the satin finish direction on the steel surface.

Drying is very important, especially in areas where water is particularly hard and leaves limestone.

All the ordinary and extraordinary maintenance can be performed without having to remove the hood.

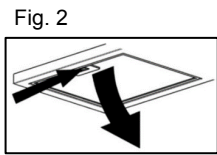
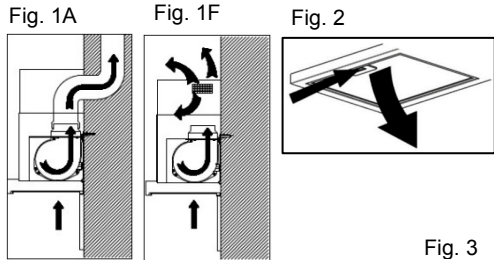
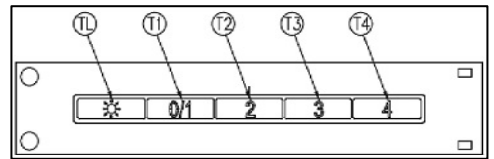
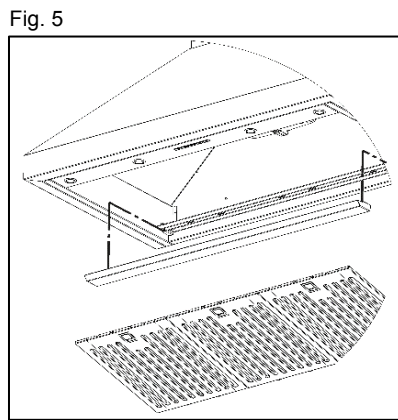


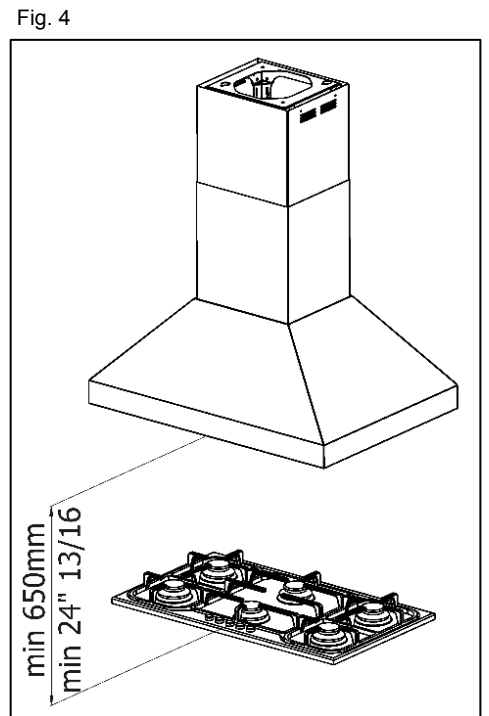
Fig. 3



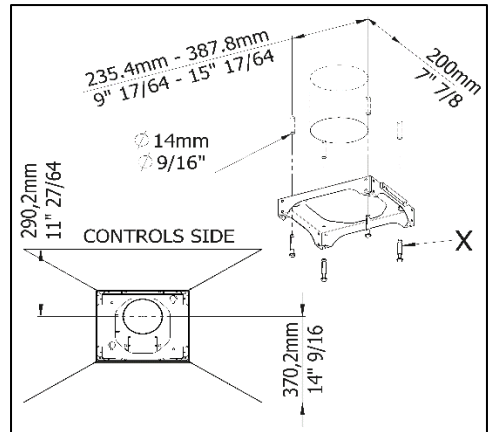
SEQ1



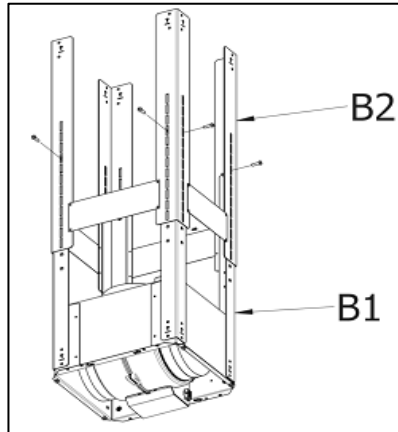
SEQ2



SEQ5



SEQ3



SEQ4

