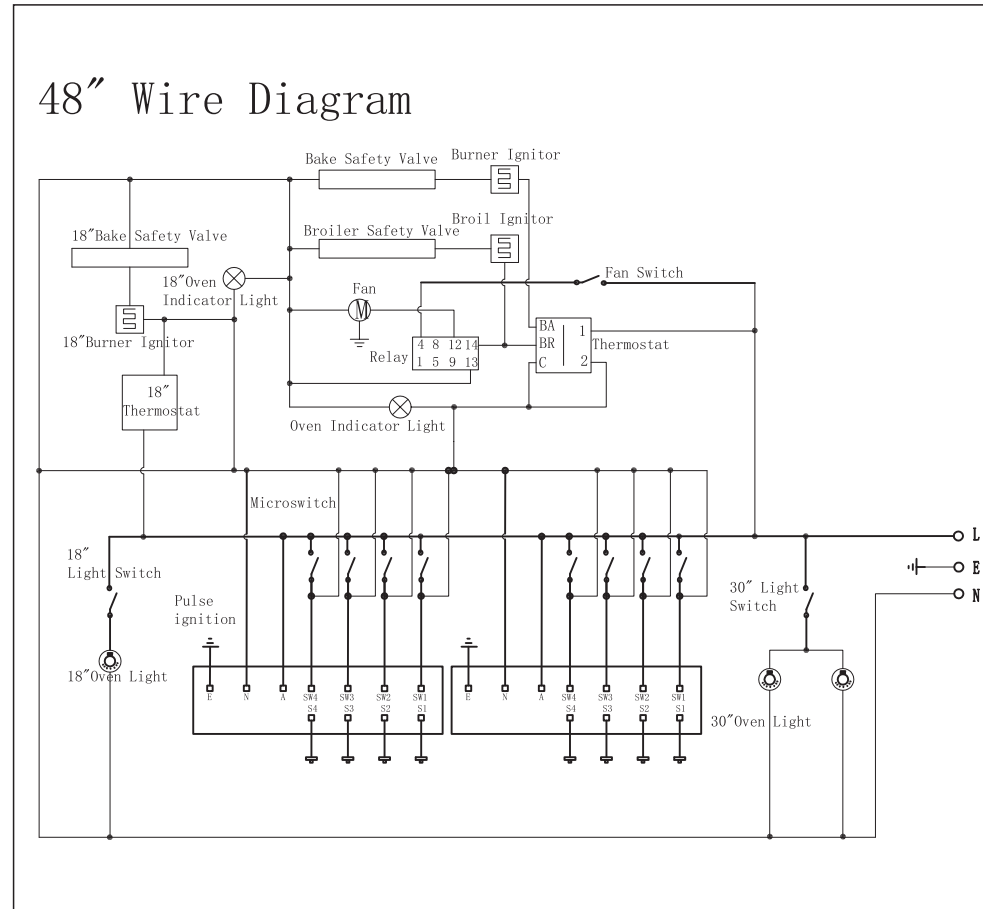


# Hallman BOLD Series 48-INCH CIRCUIT DIAGRAM



Technical parameter:

Size: 5.15" x 4.75" (130 x 120 mm),

Material: Asian silver attached to the back panel of the product